

# BROADBAND DISTRIBUTION AMPLIFIER



## WHX-130

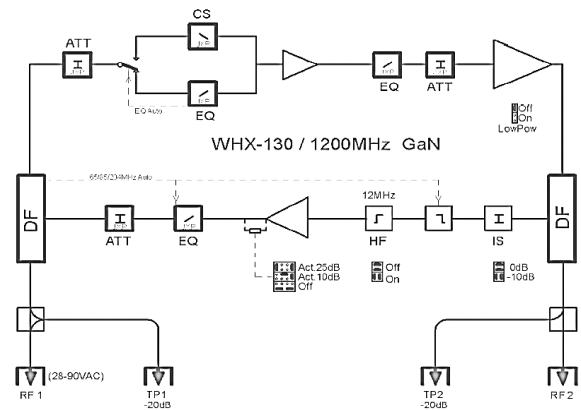


**WHX-130** is a newly designed family of modern distribution amplifiers made to meet the current market demands coming from the cable operators. It offers good quality signal transmission at a very reasonable price. Adjustment options allows the amplifier to be used in home networks of various sizes. 1.2 GHz technology and GaN-based amplification circuit ensures optimal output level, stable gain and limited power consumption.

**WHX-130** provides the best signal quality and flat characteristics of the transferred high QAM and OFDM modulations. Very reliable power supply and excellent surge protection (Surge - 6kV) guarantees uninterrupted operation of the device. It comes with local or remote power supply and prepared for various split-band configurations (replaceable DPF's). Typical JXP plug – in modules allow further adjustment and tuning.

- Working frequency range: 1.2 GHz
- Designed for DOCSIS 3.1 / 3.0
- ECO mode - lowering power consumption to min.16W (gain 38dB, max. Output level 111dBμV; KZ off)
- Active or passive return path
- Triple protection against high voltage on input / output
- Surge protection: 6kV
- Ingress filter (<12MHz or OFF)
- Remote or local power supply versions
- Metal, shock resistant casing

### BLOCK DIAGRAM



[www.telmor.pl](http://www.telmor.pl)

## TECHNICAL PARAMETERS

Model name / parameters		WHX-130 /S	WHX-130 /Z
<b>FORWARD PATH</b>			
Frequency range	MHz	85,102, 258...1218	
Gain	dB	39 ±1	
Flatness	dB	±0,75	
Max output level (DIN 45004B)	dBμV	125	
Max output level CENELEC 42, EQ-0dB, CTB, CSO ≤ -60dBc; Tryb standard/ECO	dBμV	115/111	
Input attenuator	dB	JXP module: 0...20, step 1 (autolink)	
Input equalizer	dB	JXP module : 0...20, step 1 (autolink)	
Interstage equalizer	dB	JXP module : 0...20, step 1	
Test point	dB	-20 ±1	
Noise figure	dB	< 4,5	
Return loss at all Inputs / Outputs:-in the frequency range of 5...40MHz-in the frequency range of 40...1006 MHz	dB	18 ≥18@ 40MHz – 1,5 / okt.	
<b>RETURN PATH</b>			
Frequency range	MHz	5...65,85,204	
Return path input attenuator	dB	JXP module:0...20, step 1	
Return path input equalizer	dB	JXP module: 0...20, step 1	
Gain (switchable)	dB	25/10/OFF ±1	
Flatness	dB	±1	
Max output level (DIN 45004B)	dBμV	115	
Ingress filter (switchable)	MHz	<12/OFF	
Noise figure	dB	<6,5	
<b>OTHER</b>			
Operating voltage	V <sub>AC</sub> / Hz	195...253 / 50-60 (local)	30...90 / 50-60 (remote)
Power consumption	W	25W/19W (eco)	
Connectors type	/	F	5/8 + F
Protection class	/	IP54/67	
Operating temperature	°C	-20...+60	
Surge protection	kV	6	
Weight	kg	0,7	
Dimensions	mm	175x165x80	
Package type	/	box	
<b>VERSION</b>		<b>Name</b>	<b>Art. No</b>
Local powering – 230V AC		WHX-130 /S	WWZ-0102-023-01
Remote powering – 30-90V AC		WHX-130 /Z	WWZ-0102-022-01